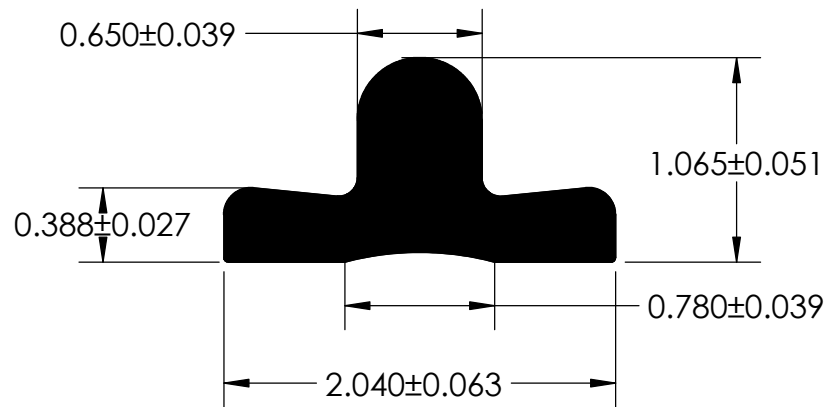
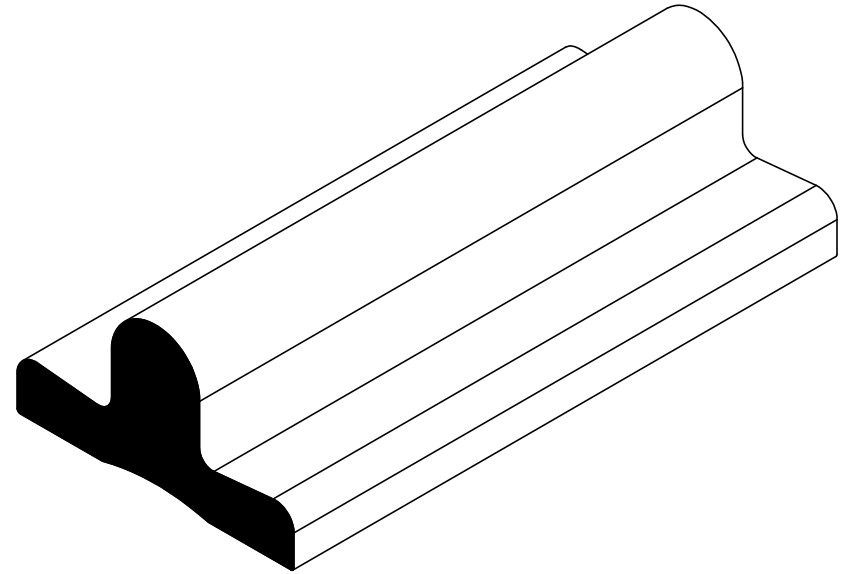


NOTES:

1) 55 DUROMETER EPDM DENSE RUBBER (1.150 G/CM<sup>3</sup>)



**UNI-GRIP, INC.**

9823 STATE ROUTE 53 N  
UPPER SANDUSKY, OHIO 43351

REVISION BLOCK				PROPRIETARY AND CONFIDENTIAL:	UNLESS OTHERWISE SPECIFIED:	TITLE:						
REV.	DATE	R. By	CHANGES MADE	THE INFORMATION CONTAINED IN THIS DRAWING IS THE SOLE PROPERTY OF UNI-GRIP, INC. ANY REPRODUCTION IN PART OR AS A WHOLE WITHOUT THE WRITTEN PERMISSION OF UNI-GRIP, INC. IS PROHIBITED.	DIMENSIONS ARE IN INCHES TOLERANCES PER ARPM CLASS 3	SD-841						
A												
B					WEIGHT	UG-1-RE-098						
C					0.556 LB/FT							
D					ASTM D1056	N/A	SIZE	DWG. NO.	REV			
E				DOCUMENT CONTROL NUMBER	ASTM D2000	<b>A</b>	UG-1-RE-098					
P:\Engineering\Prints\Master Prints\Rubber Extrusion\SD-841 UG-1-RE-098				UG-1-EN-001-FR-(080918)	3BA711 A14 B13 C12 F17	SCALE:	1:1	DR. BY	C. VENT	DATE	12/11/2020	SHEET 1 OF 1

5

4

3

2

1