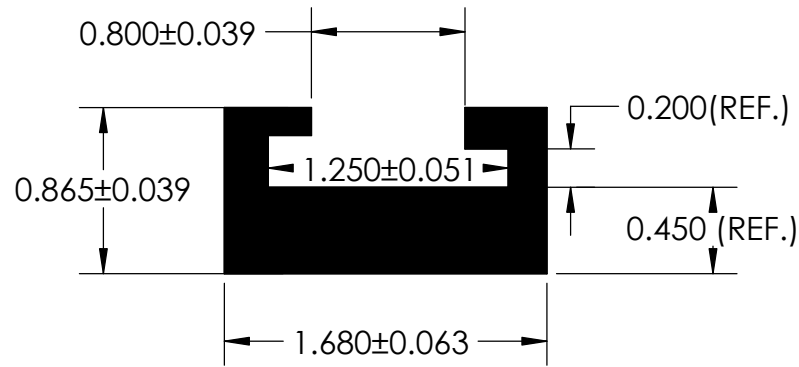
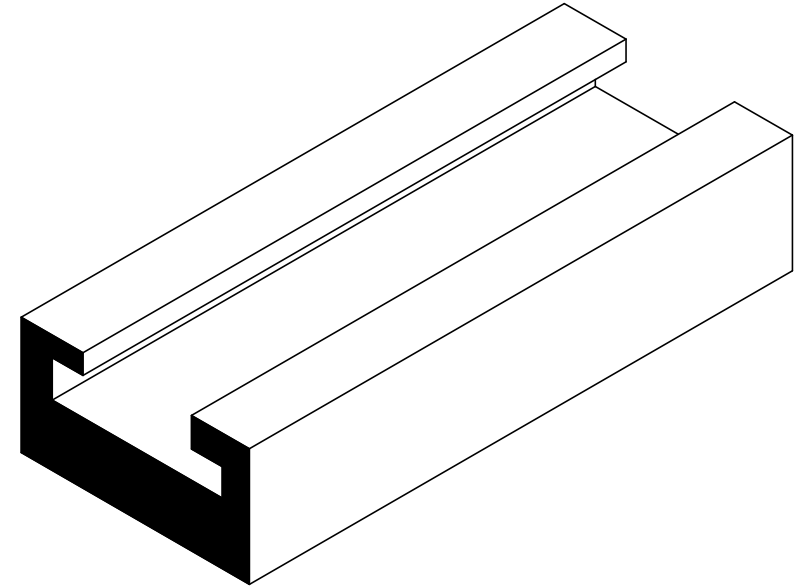


NOTES:

1) 55 DUROMETER EPDM DENSE RUBBER (1.150 G/CM³)



UNI-GRIP, INC.

9823 STATE ROUTE 53 N
UPPER SANDUSKY, OHIO 43351

| REVISION BLOCK | | | | PROPRIETARY AND CONFIDENTIAL: | UNLESS OTHERWISE SPECIFIED: | TITLE: | | | | |
|---|------|-------------|--------------|---|---|-------------|-------------|----------|-----------|--------------|
| REV. | DATE | REVIEWED BY | CHANGES MADE | THE INFORMATION CONTAINED IN THIS DRAWING IS THE SOLE PROPERTY OF UNI-GRIP, INC. ANY REPRODUCTION IN PART OR AS A WHOLE WITHOUT THE WRITTEN PERMISSION OF UNI-GRIP, INC. IS PROHIBITED. | DIMENSIONS ARE IN INCHES TOLERANCES PER ARPM CLASS 3 | SD-845 | | | | |
| A | | | | | | | | | | |
| B | | | | | WEIGHT | 0.531 LB/FT | | | | |
| C | | | | | ASTM D1056 | N/A | | | | |
| D | | | | | DOCUMENT CONTROL NUMBER | ASTM D2000 | SIZE | DWG. NO. | REV | |
| E | | | | UG-1-EN-001-FR-(103018) | 3BA711 A14 B13 C12 F17 | A | UG-1-RE-057 | A | | |
| P:\Engineering\Prints\Rubber Extrusion\SD-845 UG-1-RE-057 | | | | SCALE: | 1:1 | DR. BY | C. VENT | DATE | 1/21/2020 | SHEET 1 OF 1 |