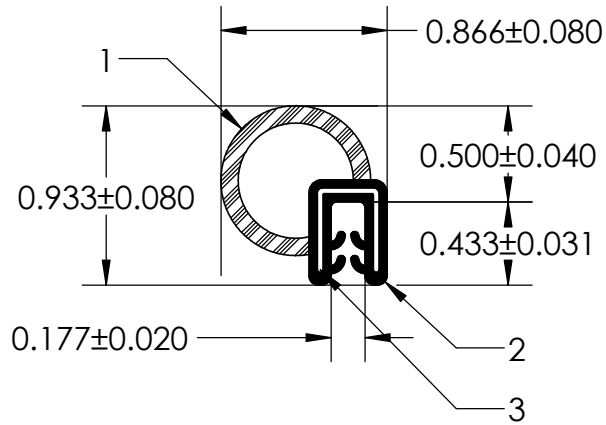
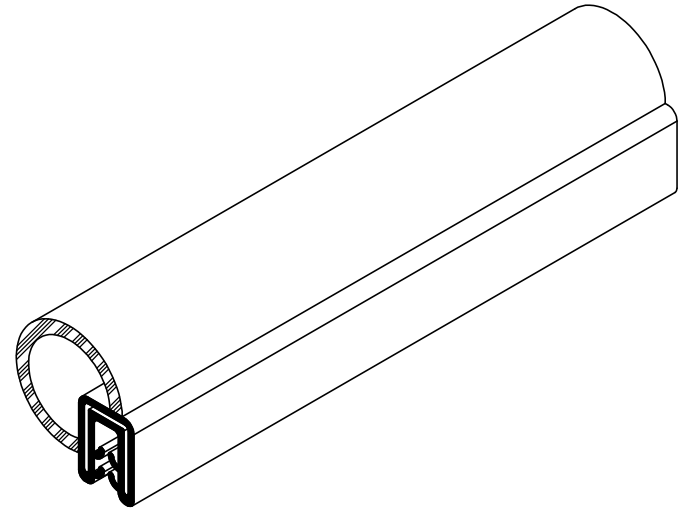


NOTES:

- 1) CLOSED CELL EPDM SPONGE RUBBER (0.700 G/CM³)
- 2) 70 DUROMETER EPDM DENSE RUBBER (1.200 G/CM³)
- 3) 1.120" WIRE CARRIER (0.024 LB/FT)



UNI-GRIP, INC.

9823 STATE ROUTE 53 N
UPPER SANDUSKY, OHIO 43351

REVISION BLOCK				PROPRIETARY AND CONFIDENTIAL:	UNLESS OTHERWISE SPECIFIED:	TITLE:				
REV.	DATE	REVIEWED BY	CHANGES MADE	THE INFORMATION CONTAINED IN THIS DRAWING IS THE SOLE PROPERTY OF UNI-GRIP, INC. ANY REPRODUCTION IN PART OR AS A WHOLE WITHOUT THE WRITTEN PERMISSION OF UNI-GRIP, INC. IS PROHIBITED.	DIMENSIONS ARE IN INCHES TOLERANCES PER ARPM CLASS 3	SD-911				
A										
B					WEIGHT	SIZE DWG. NO.				
C					0.151 LB/FT					
D					ASTM D1056	2A4	UG-1-DU-1120-WR-107	REV		
E				DOCUMENT CONTROL NUMBER	3A				A	
P:\Engineering\Prints\Dual Durometer\SD-911 UG-1-DU-1120-WR-107				UG-1-EN-001-FR-(103018)	ASTM D2000	SCALE: 1:1		DR. BY C. VENT	DATE 3/25/2019	SHEET 1 OF 1