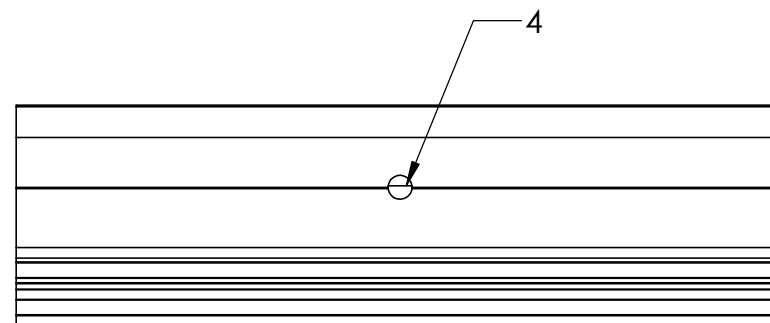
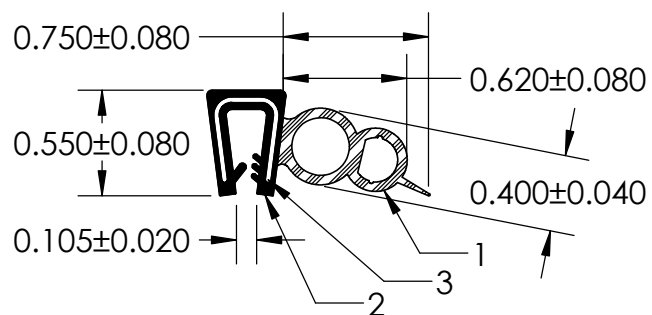
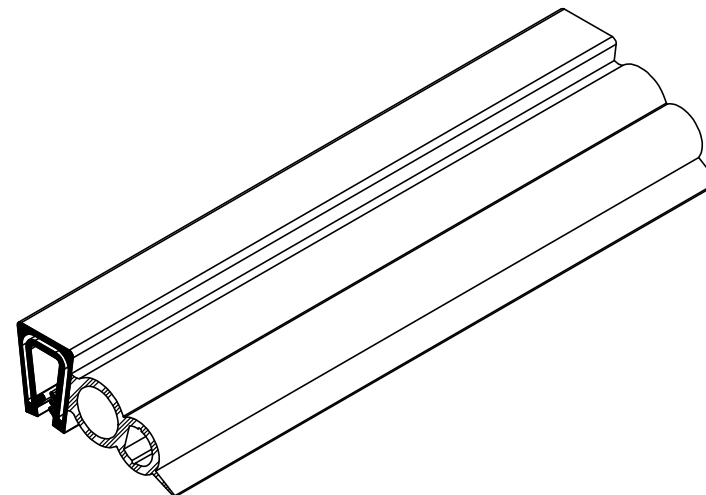


NOTES:

- 1) CLOSED CELL EPDM SPONGE RUBBER (0.0725 G/CM<sup>3</sup>)
- 2) 70 DUROMETER EPDM DENSE RUBBER (1.200 G/CM<sup>3</sup>)
- 3) 1.120 WIRE CARRIER (0.024 LB/FT)
- 4) VENT HOLE



**UNI-GRIP, INC.**

9823 STATE ROUTE 53 N  
UPPER SANDUSKY, OHIO 43351

2

PROPRIETARY AND CONFIDENTIAL:  THE INFORMATION CONTAINED IN THIS DRAWING IS THE SOLE PROPERTY OF UNI-GRIP, INC. ANY REPRODUCTION IN PART OR AS A WHOLE WITHOUT THE WRITTEN PERMISSION OF UNI-GRIP, INC. IS PROHIBITED.	UNLESS OTHERWISE SPECIFIED:  DIMENSIONS ARE IN INCHES TOLERANCES PER ARPM CLASS 3	TITLE:  <h2 style="text-align: center;">SD-915</h2>		
	WEIGHT 0.121 BL/FT  ASTM D1056 2A2	SIZE <h1 style="font-size: 2em;">A</h1>	DWG. NO. UG-1-DU-1120-WR-065	REV <h1 style="font-size: 2em;">A</h1>
	DOCUMENT CONTROL NUMBER UG-1-EN-001-FR-(111416)	ASTM D2000 3BA711 A14 B13 C12 F17		