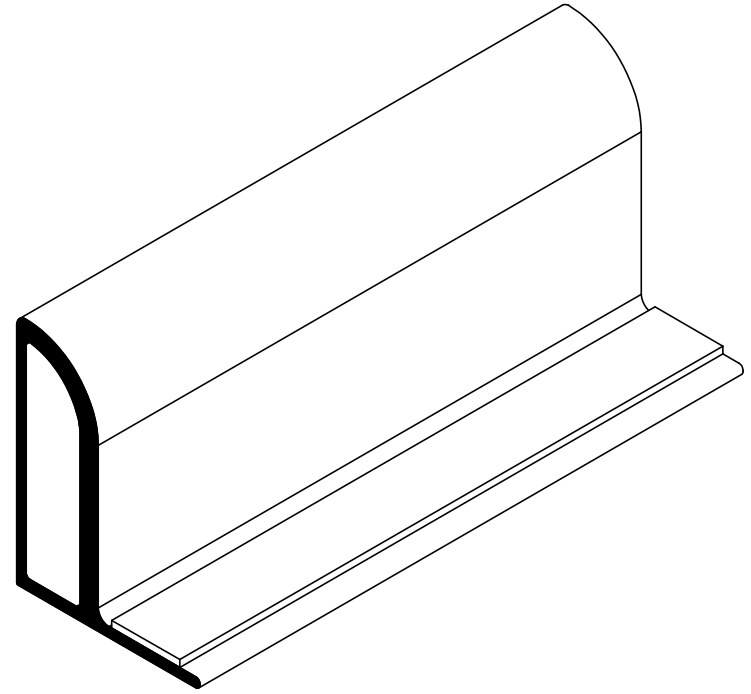
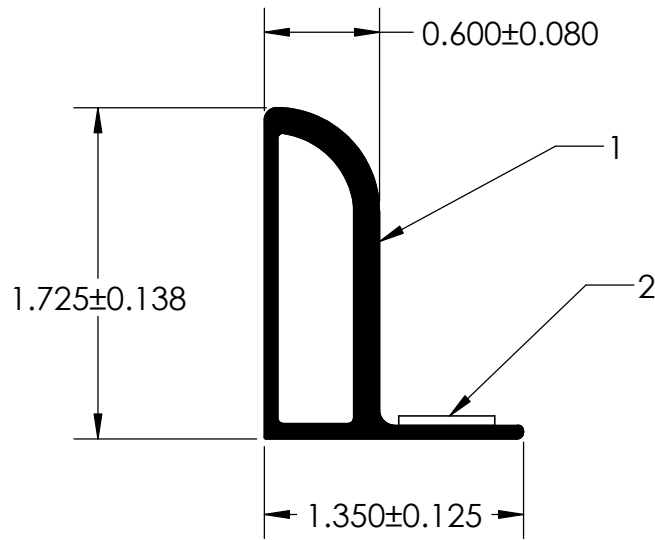


NOTES:

1) CLOSED CELL EPDM SPONGE RUBBER (0.750 G/CM³)

2) 1/2" ST-1200 3M HEAT ACTIVATED TAPE (0.010 LB/FT)



UNI-GRIP, INC.
 9823 STATE ROUTE 53 N
 UPPER SANDUSKY, OHIO 43351

REVISION BLOCK			
REV.	DATE	REVIEWED BY	CHANGES MADE
A			
B			
C			
D			
E			

PROPRIETARY AND CONFIDENTIAL:
 THE INFORMATION CONTAINED IN THIS DRAWING IS THE SOLE PROPERTY OF UNI-GRIP, INC. ANY REPRODUCTION IN PART OR AS A WHOLE WITHOUT THE WRITTEN PERMISSION OF UNI-GRIP, INC. IS PROHIBITED.
 DOCUMENT CONTROL NUMBER
 UG-1-EN-001-FR-(103018)

UNLESS OTHERWISE SPECIFIED:
 DIMENSIONS ARE IN INCHES
 TOLERANCES PER ARPM CLASS 3
 WEIGHT
 0.169 LB/FT
 ASTM D1056
 2A4
 ASTM D2000
 N/A
 SCALE: 1:1

TITLE:
 TR-506-T
 SIZE **A** DWG. NO. UG-1-TS-500-TP-142 REV **A**
 DR. BY C. VENT DATE 3/25/2020 SHEET 1 OF 1