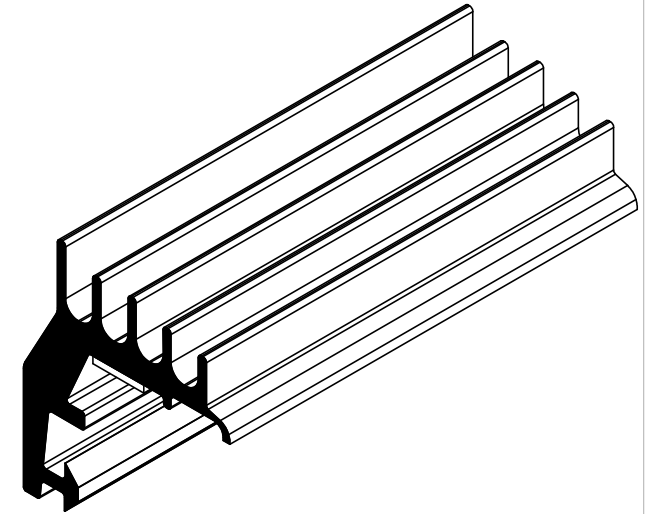
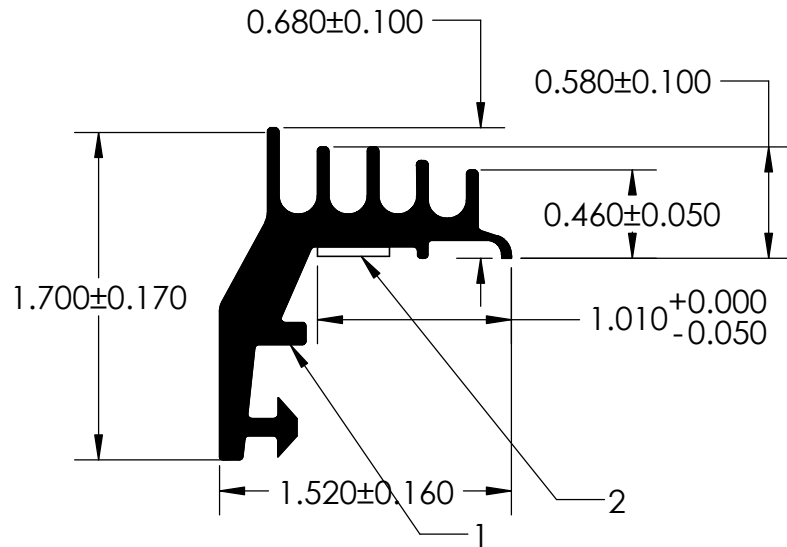


NOTES:

- 1) CLOSED CELL EPDM SPONGE RUBBER (0.250 G/CM<sup>3</sup>)
- 2) 3/8" 3M WT-4112



CUSTOMER APPROVAL: \_\_\_\_\_

DATE: \_\_\_\_\_



**UNI-GRIP, INC.**

9823 STATE ROUTE 53 N  
UPPER SANDUSKY, OHIO 43351

PROPRIETARY AND CONFIDENTIAL:  THE INFORMATION CONTAINED IN THIS DRAWING IS THE SOLE PROPERTY OF UNI-GRIP, INC. ANY REPRODUCTION IN PART OR AS A WHOLE WITHOUT THE WRITTEN PERMISSION OF UNI-GRIP, INC. IS PROHIBITED.	UNLESS OTHERWISE SPECIFIED:  DIMENSIONS ARE IN INCHES TOLERANCES PER ARPM CLASS 3	TITLE:  <p style="text-align: center; font-size: 1.2em;">TS-029</p>		
	WEIGHT <p style="text-align: center; font-size: 1.1em;">0.084 LB/FT</p>	SIZE <p style="text-align: center; font-size: 1.5em; font-weight: bold;">A</p>	DWG. NO. <p style="text-align: center; font-size: 1.1em;">UG-1-TS-375-TP-029</p>	REV <p style="text-align: center; font-size: 1.5em; font-weight: bold;">B</p>
	DOCUMENT CONTROL NUMBER <p style="text-align: center; font-size: 1.1em;">UG-1-EN-001-FR-(111416)</p>	ASTM D1056 <p style="text-align: center; font-size: 1.1em;">2A2</p>	DR. BY <p style="text-align: center; font-size: 1.1em;">C. VENT</p>	DATE <p style="text-align: center; font-size: 1.1em;">5/11/2018</p>
SCALE: 1:1		SHEET 1 OF 1		