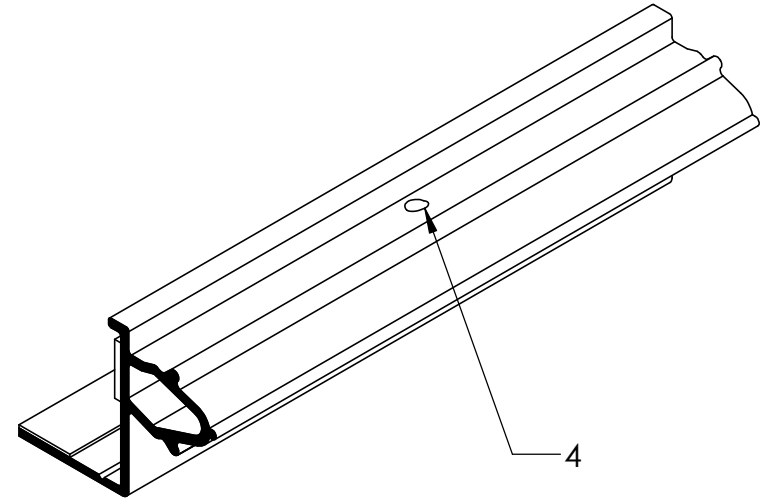
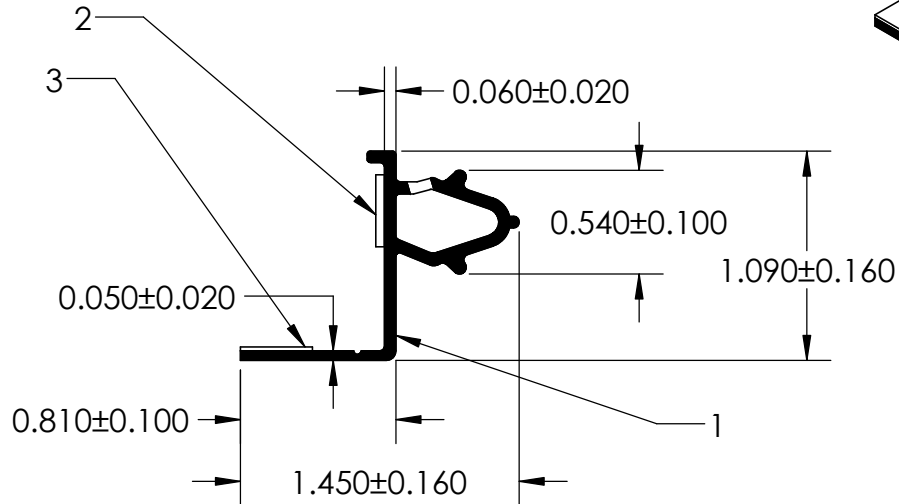


NOTES:

- 1) CLOSED CELL EPDM SPONGE RUBBER (0.450 G/CM³)
- 2) 3/8" 3M 4112 HEAT ACTIVATED TAPE (0.008 LB/FT)
- 3) 3/8" PAPER TAPE (0.005 LB/FT)
- 4) 1/8" VENT HOLE 6-10" SPACING



UNI-GRIP, INC.

9823 STATE ROUTE 53 N
UPPER SANDUSKY, OHIO 43351

PROPRIETARY AND CONFIDENTIAL:	UNLESS OTHERWISE SPECIFIED:
THE INFORMATION CONTAINED IN THIS DRAWING IS THE SOLE PROPERTY OF UNI-GRIP, INC. ANY REPRODUCTION IN PART OR AS A WHOLE WITHOUT THE WRITTEN PERMISSION OF UNI-GRIP, INC. IS PROHIBITED.	DIMENSIONS ARE IN INCHES TOLERANCES PER ARPM CLASS 3
	WEIGHT 0.040 LB/FT
	ASTM D1056 2A3
DOCUMENT CONTROL NUMBER UG-1-EN-001-FR-(111416)	ASTM D2000 N/A

TITLE:		TS-040	
SIZE A	DWG. NO. UG-1-TS-375-TP-375-PT-040	REV A	