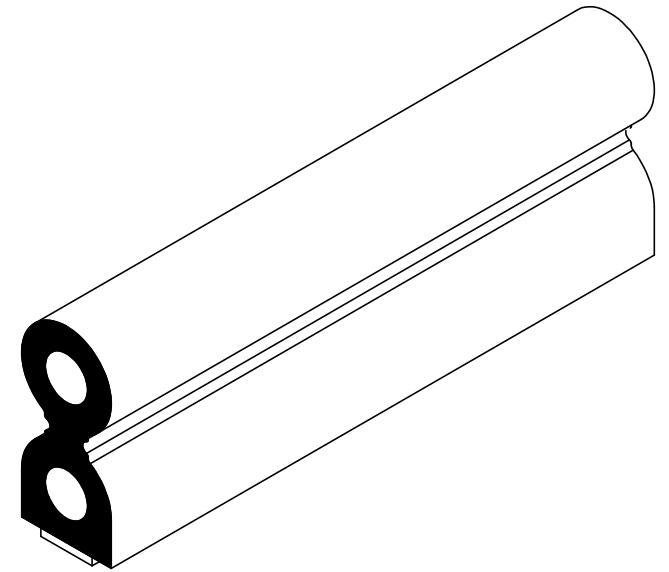
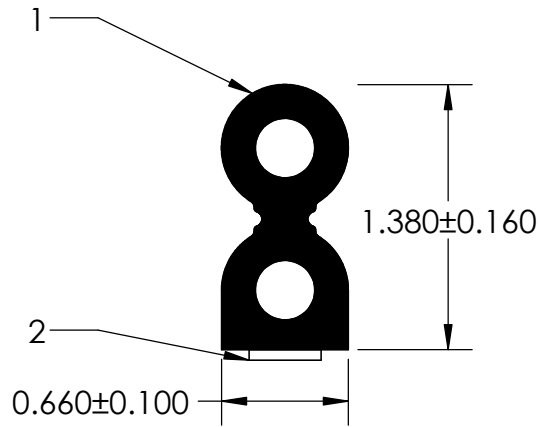


NOTES:

- 1) CLOSED CELL EPDM SPONGE RUBBER (0.265 G/CM<sup>3</sup>)
- 2) 3/8" ST-1200 3M HEATACTIVATED TAPE (0.006 LB/FT)



**UNI-GRIP, INC.**

9823 STATE ROUTE 53 N  
UPPER SANDUSKY, OHIO 43351

REVISION BLOCK				PROPRIETARY AND CONFIDENTIAL:	UNLESS OTHERWISE SPECIFIED:	TITLE:				
REV.	DATE	By	CHANGES MADE	THE INFORMATION CONTAINED IN THIS DRAWING IS THE SOLE PROPERTY OF UNI-GRIP, INC. ANY REPRODUCTION IN PART OR AS A WHOLE WITHOUT THE WRITTEN PERMISSION OF UNI-GRIP, INC. IS PROHIBITED.	DIMENSIONS ARE IN INCHES TOLERANCES PER ARPM CLASS 3	TS-092				
A	08/09/18	GS	Added a revision block to template							
B					WEIGHT	0.074 LB/FT				
C					ASTM D1056	2A2	SIZE	DWG. NO.	REV	
D					DOCUMENT CONTROL NUMBER	ASTM D2000	<b>A</b>	UG-1-TS-375-TP-092	<b>A</b>	
E				UG-1-EN-001-FR-(080918)	N/A	DR. BY	C. VENT	DATE	10/5/2018	SHEET 1 OF 1
P:\Engineering\Prints\Tape Seals\TS-092 UG-1-TS-375-TP-092				SCALE:	1:1					