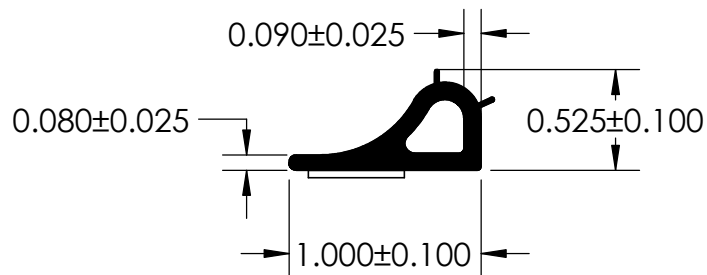
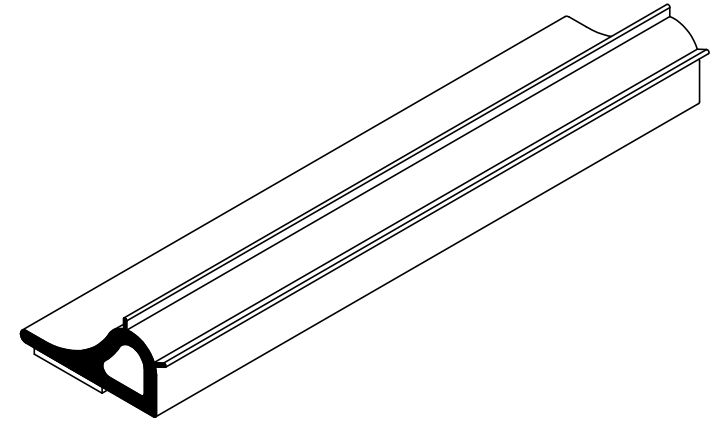


NOTES:

1) CLOSED CELL EPDM SPONGE RUBBER (0.380 G/CM³)

2) 1/2" ST-1200 3M HEAT ACTIVATED TAPE (0.010 LB/FT)



UNI-GRIP, INC.

9823 STATE ROUTE 53 N
UPPER SANDUSKY, OHIO 43351

REVISION BLOCK				PROPRIETARY AND CONFIDENTIAL:	UNLESS OTHERWISE SPECIFIED:	TITLE:		
REV.	DATE	REVIEWED BY	CHANGES MADE	THE INFORMATION CONTAINED IN THIS DRAWING IS THE SOLE PROPERTY OF UNI-GRIP, INC. ANY REPRODUCTION IN PART OR AS A WHOLE WITHOUT THE WRITTEN PERMISSION OF UNI-GRIP, INC. IS PROHIBITED.	DIMENSIONS ARE IN INCHES TOLERANCES PER ARPM CLASS 3	TS-101		
A								
B					WEIGHT	0.041 LB/FT		
C					ASTM D1056	2A2		
D					ASTM D2000	N/A		
E				DOCUMENT CONTROL NUMBER UG-1-EN-001-FR-(103018)	SIZE	DWG. NO.	REV	
P:\Engineering\Prints\Tape Seals\TS-101 UG-1-TS-500-TP-101				SCALE:	1:1	A	UG-1-TS-500-TP-101	A
				DR. BY	C. VENT	DATE	12/7/2018	SHEET 1 OF 1