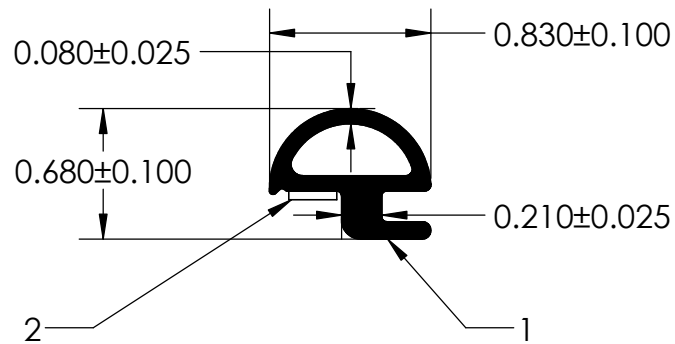
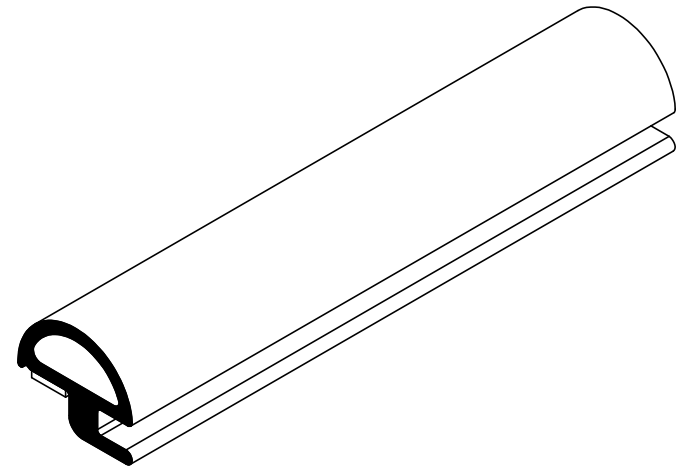


NOTES:

- 1) CLOSED CELL EPDM SPONGE RUBBER (0.450 G/CM³)
- 2) 1/4" ST-1200 3M HEAT ACTIVATED TAPE (0.004 LB/FT)



UNI-GRIP, INC.

9823 STATE ROUTE 53 N
UPPER SANDUSKY, OHIO 43351

REVISION BLOCK				PROPRIETARY AND CONFIDENTIAL:	UNLESS OTHERWISE SPECIFIED:	TITLE:				
REV.	DATE	R. By	CHANGES MADE	THE INFORMATION CONTAINED IN THIS DRAWING IS THE SOLE PROPERTY OF UNI-GRIP, INC. ANY REPRODUCTION IN PART OR AS A WHOLE WITHOUT THE WRITTEN PERMISSION OF UNI-GRIP, INC. IS PROHIBITED.	DIMENSIONS ARE IN INCHES TOLERANCES PER ARPM CLASS 3	TS-199				
A					WEIGHT 0.051 LB/FT					
B					ASTM D1056 2A4	SIZE A	DWG. NO. UG-1-TS-250-TP-199	REV		
C					DOCUMENT CONTROL NUMBER UG-1-EN-001-FR-(080918)	ASTM D2000 N/A				
D										
E										
P:\Engineering\Prints\Master Prints\Tape Seals\TS-199 UG-1-TS-250-TP-199				SCALE:	1:1	DR. BY	C. VENT	DATE	8/31/2021	SHEET 1 OF 1