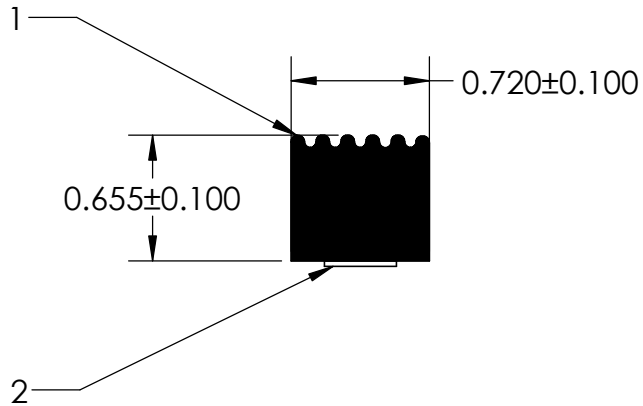
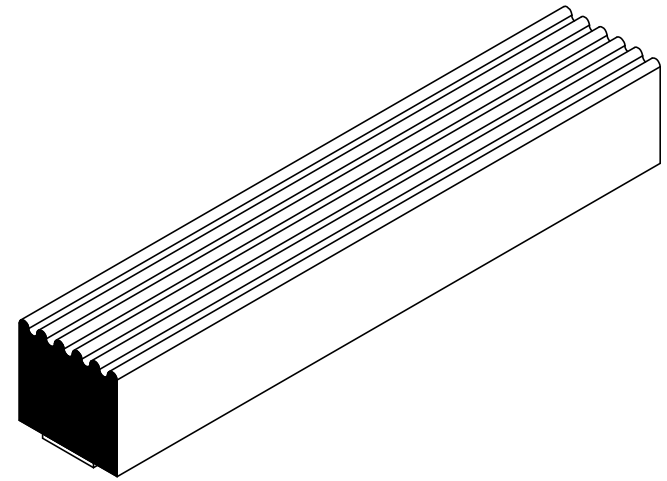


NOTES:

- 1) CLOSED CELL EPDM SPONGE RUBBER (0.250 G/CM³)
- 2) 3/8" ST-1200 3M HEAT ACTIVATED TAPE (0.006 LB/FT)



UNI-GRIP, INC.

9823 STATE ROUTE 53 N
UPPER SANDUSKY, OHIO 43351

REVISION BLOCK				PROPRIETARY AND CONFIDENTIAL:	UNLESS OTHERWISE SPECIFIED:	TITLE:			
REV.	DATE	R. By	CHANGES MADE	THE INFORMATION CONTAINED IN THIS DRAWING IS THE SOLE PROPERTY OF UNI-GRIP, INC. ANY REPRODUCTION IN PART OR AS A WHOLE WITHOUT THE WRITTEN PERMISSION OF UNI-GRIP, INC. IS PROHIBITED.	DIMENSIONS ARE IN INCHES TOLERANCES PER ARPM CLASS 3	TS-222			
A									
B					WEIGHT	0.057 LB/FT			
C					ASTM D1056	2A2			
D					ASTM D2000	N/A			
E				DOCUMENT CONTROL NUMBER UG-1-EN-001-FR-(080918)	SIZE			DWG. NO.	REV
P:\Engineering\Prints\Master Prints\Tape Seal\TS-222 UG-1-TS-375-TP-222				SCALE:	1:1		A	UG-1-TS-375-TP-222	
				DR. BY	C. VENT		DATE	1/13/2023	SHEET 1 OF 1