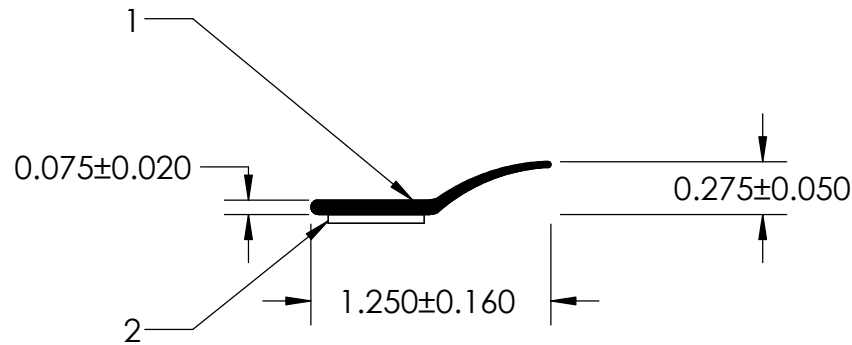
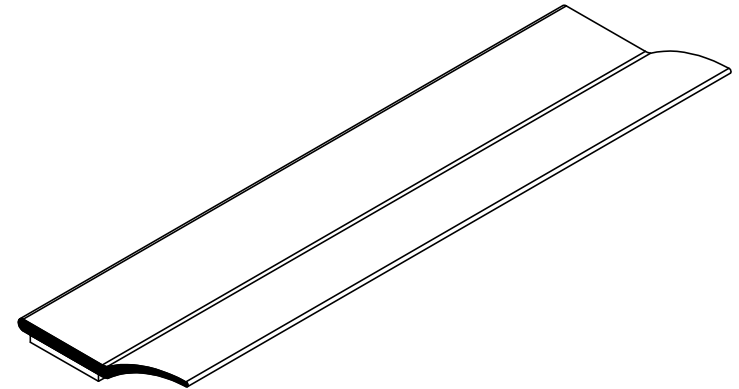


NOTES:

- 1) 70 DUROMETER EPDM DENSE RUBBER (1.200 G/CM³)
- 2) 1/2" ST-1200 3M HEAT ACTIVATED TAPE (0.010 LB/FT)



UNI-GRIP, INC.

9823 STATE ROUTE 53 N
UPPER SANDUSKY, OHIO 43351

REVISION BLOCK				PROPRIETARY AND CONFIDENTIAL: THE INFORMATION CONTAINED IN THIS DRAWING IS THE SOLE PROPERTY OF UNI-GRIP, INC. ANY REPRODUCTION IN PART OR AS A WHOLE WITHOUT THE WRITTEN PERMISSION OF UNI-GRIP, INC. IS PROHIBITED.	UNLESS OTHERWISE SPECIFIED:		TITLE:		
REV.	DATE	By	CHANGES MADE		DIMENSIONS ARE IN INCHES		TS-226		
A					WEIGHT		SIZE A	DWG. NO. UG-1-TS-500-TP-226	REV
B					0.066 LB/FT				
C					ASTM D1056		N/A		
D				DOCUMENT CONTROL NUMBER		ASTM D2000			
E				UG-1-EN-001-FR-(030123)		3BA711 A14 B13 C12 F17			
P:\Engineering\Prints\Master Prints\Tape Seals\TS-226 UG-1-TS-500-TP-226				SCALE: 1:1		DR. BY C. VENT		DATE 5/19/2023	SHEET 1 OF 1