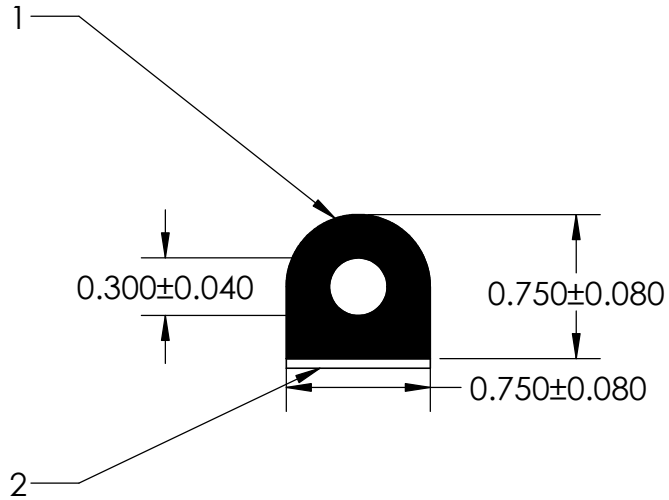
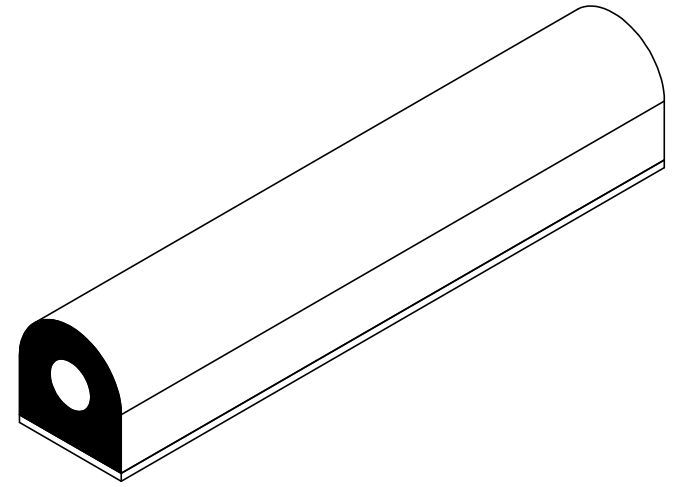


NOTES:

- 1) CLOSED CELL EPDM SPONGE RUBBER (0.370 G/CM<sup>3</sup>)
- 2) 3/4" 3M ST-1200 HEAT ACTIVATED TAPE (0.013 LB/FT)



**UNI-GRIP, INC.**

9823 STATE ROUTE 53 N  
UPPER SANDUSKY, OHIO 43351

REVISION BLOCK				PROPRIETARY AND CONFIDENTIAL:	UNLESS OTHERWISE SPECIFIED:	TITLE:				
REV.	DATE	REVIEWED BY	CHANGES MADE	THE INFORMATION CONTAINED IN THIS DRAWING IS THE SOLE PROPERTY OF UNI-GRIP, INC. ANY REPRODUCTION IN PART OR AS A WHOLE WITHOUT THE WRITTEN PERMISSION OF UNI-GRIP, INC. IS PROHIBITED.	DIMENSIONS ARE IN INCHES TOLERANCES PER ARPM CLASS 3	UG-128-ST				
A	2/18/2020	C.V.	PUT DIM.ON HOLE							
B					WEIGHT	0.086 LB/FT				
C					ASTM D1056	2A2				
D					DOCUMENT CONTROL NUMBER	ASTM D2000	N/A			
E				UG-1-EN-001-FR-(103018)						
P:\Engineering\Prints\Tape Seals\UG-128-ST UG-1-TS-750-TP-075				SCALE:	1:1	DR. BY	C. VENT	DATE	2/18/2020	SHEET 1 OF 1
						SIZE	DWG. NO.		REV	
						<b>A</b>	UG-1-TS-750-TP-075		<b>A</b>	